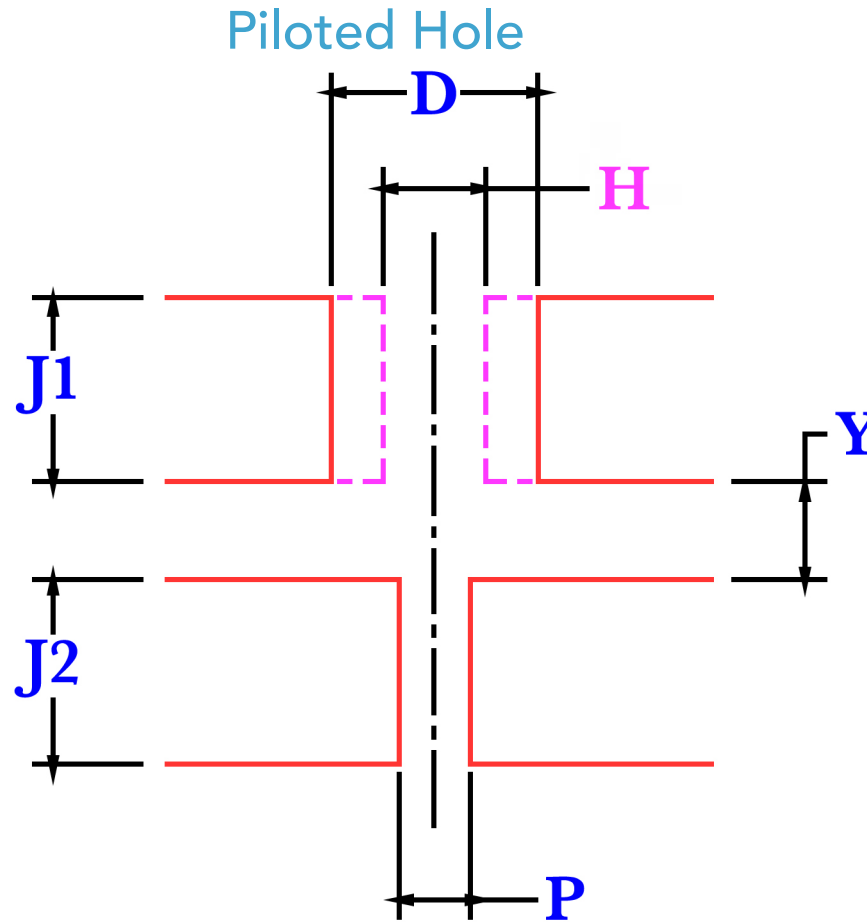




# the GAMMONS<sup>®</sup> Hoaglund Company

Note:  
These templates are  
not drawn to scale.

- D:** Diameter of hole 1 desired
- H:** Diameter of existing hole 1
- P:** Diameter of Pilot hole
- J1:** Depth of existing hole 1
- J2:** Depth of Pilot hole
- Y:** Distance between holes



## Straight Shank

- Length:
- Diameter:
- # of Flats on Shank  
(0 through 6)
- Or  
Morse Shank  
(0 through 6)

- Material:**
- Hardness:**
- Blind Hole:**
- Through Hole:**
- Tolerance Needed:**
- Surface Finish Desired:**

Company Name  
Phone Number

Contact  
Email Address

Comments

Please email or print out  
form and fax it to us for  
a quotation

Quantity Needed

253 Broad Street, Manchester, CT 06040  
sales@gammons.com  
Phone: 800.842.9446 | 860.432.0252 | 860.646.4483 Fax