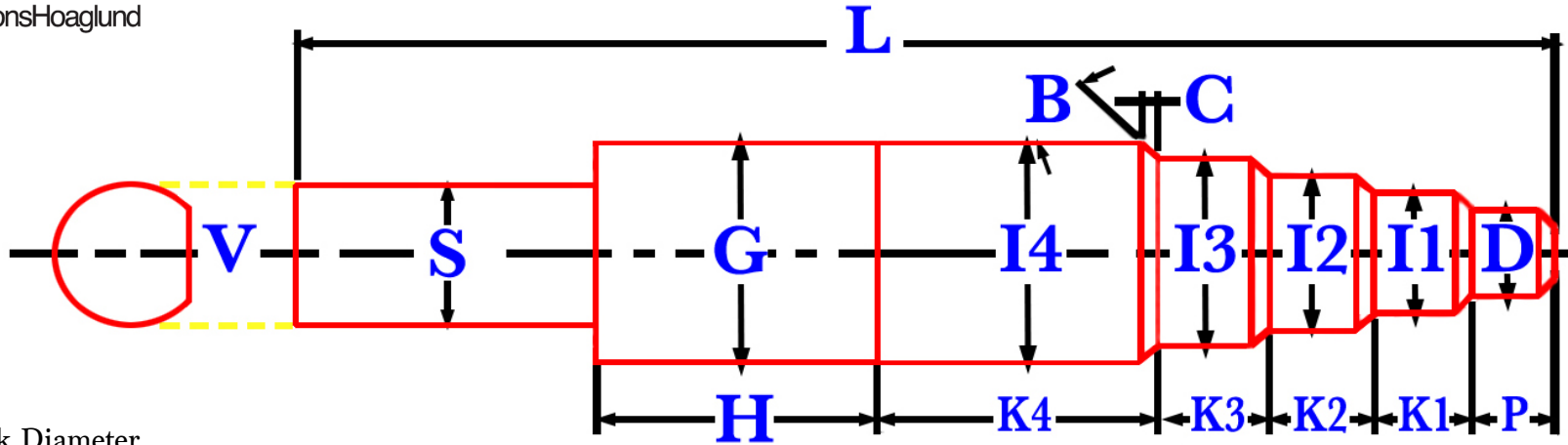




# the GAMMONS® Hoaglund Company

## Step Reamer, Straight Shank

Note:  
These templates are  
not drawn to scale.



**S:** Shank Diameter

**P:** Pilot Length

**K1:** Step 1 Length

**I1:** Step 1 Diameter

**B:** End Cut Chamfer Angle  
(Standard Angle is 45°  
unless otherwise specified)

**D:** Front Pilot Diameter

**K2:** Step 2 Length

**I2:** Step 2 Diameter

**C:** End Cut Chamfer Length  
(Same for all steps)

**H:** Back Pilot Length

**K3:** Step Length 3

**I3:** Step 3 Diameter

**V:** # of Flats on Shank  
(0 through 6)

**G:** Back Pilot Diameter

**K4:** Step 4 Length

**I4:** Step 4 Diameter

**L:** Overall Length

**Helix:** ✓ one

**Style:** ✓ one

Right

Roughing

Left

Finishing

Straight

Click Submit to send us your  
specs for quotation.

Company Name

Phone Number

Contact

Email Address

Comments

Quantity Needed

\*If you require less steps enter zero's for step dimensions. If you  
require more, please specify (K5, K6, etc...) in the comment section

253 Broad Street, Manchester, CT 06040

sales@gammons.com

Phone: 800.842.9446 | 860.432.0252 | 860.646.4483 Fax