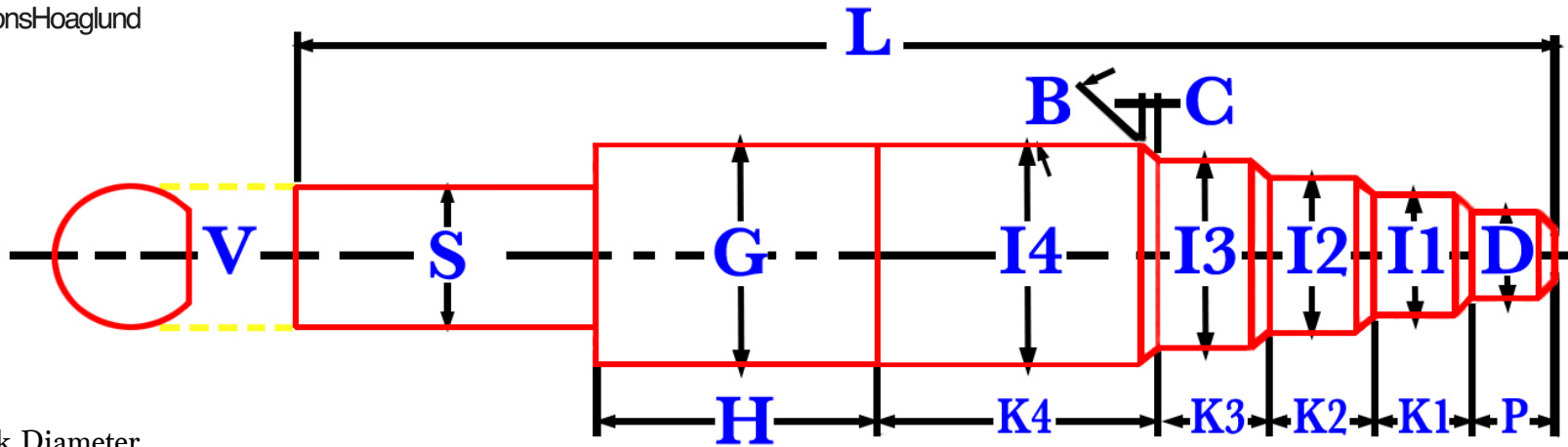




the GAMMONS® Hoaglund Company

Step Reamer, Straight Shank

Note:
These templates are
not drawn to scale.



S: Shank Diameter

P: Pilot Length

K1: Step 1 Length

I1: Step 1 Diameter

B: End Cut Chamfer Angle
(Standard Angle is 45°
unless otherwise specified)

D: Front Pilot Diameter

K2: Step 2 Length

I2: Step 2 Diameter

C: End Cut Chamfer Length
(Same for all steps)

H: Back Pilot Length

K3: Step Length 3

I3: Step 3 Diameter

V: # of Flats on Shank
(0 through 6)

G: Back Pilot Diameter

K4: Step 4 Length

I4: Step 4 Diameter

L: Overall Length

Helix: ✓ one

Style: ✓ one

Right

Roughing

Left

Finishing

Straight

Please email or print out
form and fax it to us for

Company Name

Phone Number

Contact

Email Address

Comments

Quantity Needed

*If you require less steps enter zero's for step dimensions. If you
require more, please specify (K5, K6, etc...) in the comment section

253 Broad Street, Manchester, CT 06040

sales@gammons.com

Phone: 800.842.9446 | 860.432.0252 | 860.646.4483 Fax